

# AUTOMOTIVE

## HAND WINCHES

### HEAVY-DUTY

Seven rugged sizes designed for heavy-duty use with line pulls from 550 lbs. to 11 000 lbs. Models **LB298**, **LB299** and **LB300** are equipped with 2-speed gearing for ease in handling heavy loads. Hand cranks are removable under load to prevent tampering when load operator is not present. Automatic brake prevents recoil and holds load safely in any position. Options available with a centre flange and chain operated.

### HEAVY-DUTY ALUMINUM

Compact all cast aluminum construction that makes it lightweight, but rugged for heavy-duty applications. Cranks are removable under load to prevent tampering when load operator is not present. Fully enclosed gears provide maximum safety. Automatic brake prevents recoil and holds load safely in any position.

### HEAVY-DUTY ENCLOSED WORM SHAFT

Enclosed worm shaft and worm wheel are immersed in an oil bath, providing constant lubrication and protection from corrosion. Maintenance is reduced while life expectancy is increased. Rope life is substantially increased with drum diameters a minimum of 20 times the diameter of the rope. Choose from three sizes ranging from 550 lbs. to 1650 lbs. Cranks are removable under load to prevent tampering when load operator is not present. Automatic brakes prevent recoil and securely hold load in any position.



## Jeamar Winches

Model No.	Working Load Cap. lbs.	Rope Dia. "	Rope Storage Cap. '	Wt. lbs.	Price /Each
<b>HEAVY-DUTY</b>					
LB294	550	3/16	194	29	P.O.A.
LB295	1100	1/4	253	35	P.O.A.
LB296	2200	3/8	180	57	P.O.A.
LB297	3300	7/16	138	62	P.O.A.
LB298	4400	1/2	151	132	P.O.A.
LB299	6600	5/8	172	172	P.O.A.
LB300	11 000	3/4	132	253	P.O.A.
<b>HEAVY-DUTY ALUMINUM</b>					
LB301	175	1/8	98	6.6	P.O.A.
LB302	275	3/16	98	6.6	P.O.A.
<b>HEAVY-DUTY ENCLOSED WORM SHAFT</b>					
LA716	550	3/16	60	28	P.O.A.
LA714	1100	1/4	95	46	P.O.A.
LA715	1650	5/16	157	92	P.O.A.

Note: Cables not included

## INDUSTRIAL & AGRICULTURAL JACKS

- Used to raise commercial trailers
- Zinc plated construction
- Strong service and smooth cranking for years
- Heavy gauge foot provides strong base for lifting loads on soft ground



"S" Mount  
LA729



"G" Mount  
LT392



"G" Mount  
LA733

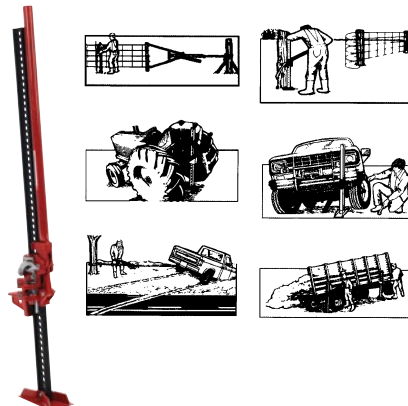
Model No.	Capacity lbs.	Travel"	Handle Type	Mounting Type	Pin Dia. "	Bracket Height"	Overall Height"	Price /Each
LA729	2000	10	Topwind	S	3/8	11	14 1/4	
LT392	2000	15	Sidewind	G	5/8	15	26	
LA733	5000	15	Topwind	G	5/8	15	19	

## JACKS

- Designed for lifting vehicles, machinery and other types of equipment
- Completely mechanical operation does not use hydraulics
- Long handle used to raise and lower tongue
- Spring-loaded mechanism switches between raise and lower function
- Steel construction with painted finish
- Maximum lifting capacity is 7000 lbs.



Model No.	Travel"	Wt. lbs.	Price/Each
LT492	36	31	
LT493	47	32	



## MARINE JACKS

### DUAL WHEEL HEAVY DUTY SWIVEL JACK

#### 1500-LB. CAPACITY

- Heavy duty swivel mechanism with superior load capabilities
- Quick and easy installation on trailer tongues up to 3" x 5"
- Ideal for vehicles with high platforms, provides up to 27" of lift
- Ideal for 4 x 4's
- Features two 6" wide profile wheels for maximum ground support
- Weight: 23 lbs.

Model No. LA803  
Price/Each \$



### MARINE SWIVEL JACKS

#### 1200-LB. CAPACITY

- Designed for use with marine and utility trailers
- Fit up to a 3" x 5" trailer frame
- Uses 3-D formed heavy-gauge steel stampings for a mount with minimal deflection and maximum support
- Bolt-thru swivel mount side-wind w/6" wheel
- Capacity: 1200 lbs.
- Weight: 16.5 lbs.

Model No. LT384  
Price/Each \$

